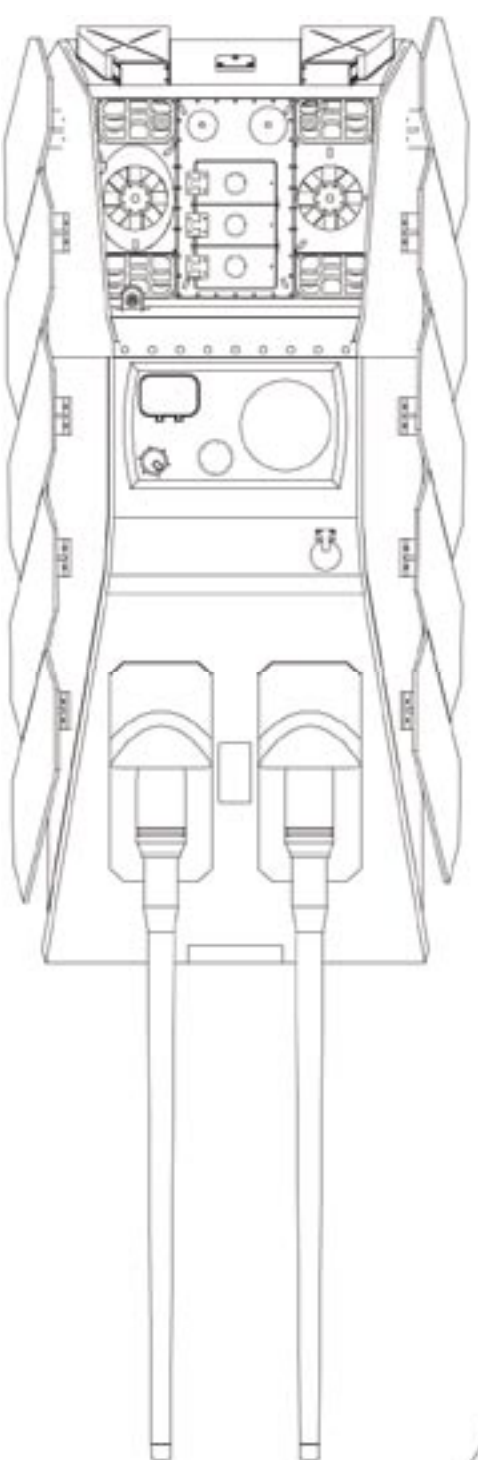


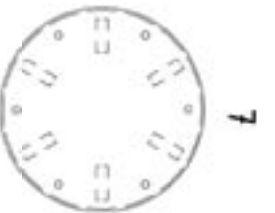
**BOLDWISYON**



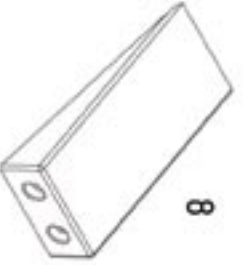
**Debold  
Henricstr. 14  
04177 Leipzig  
Germany  
E-Mail: [bestellung@bolddivision.de](mailto:bestellung@bolddivision.de)**



6



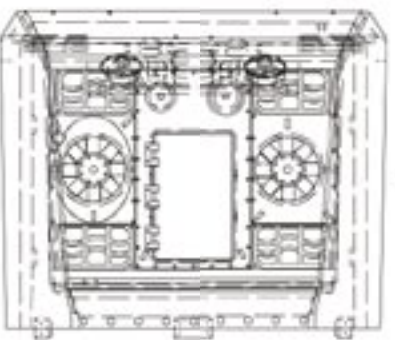
7



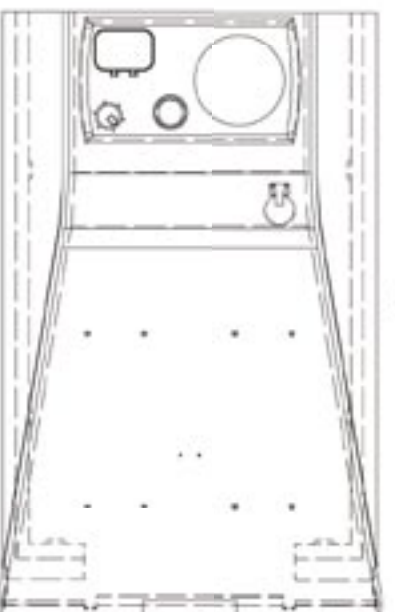
8



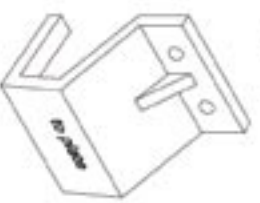
9



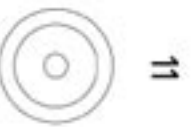
1



2



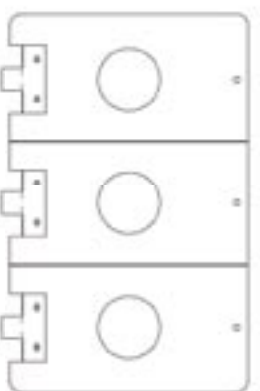
10 (x10)



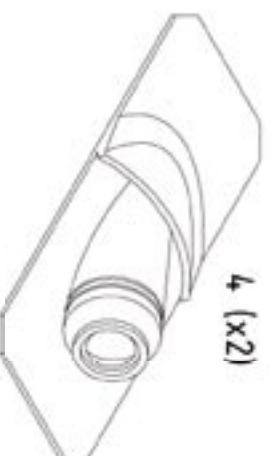
11



12 (x2)



3



4 (x2)



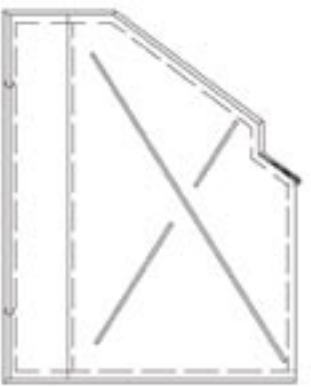
13



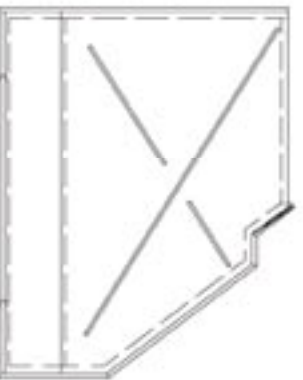
14



5 (x2)



15



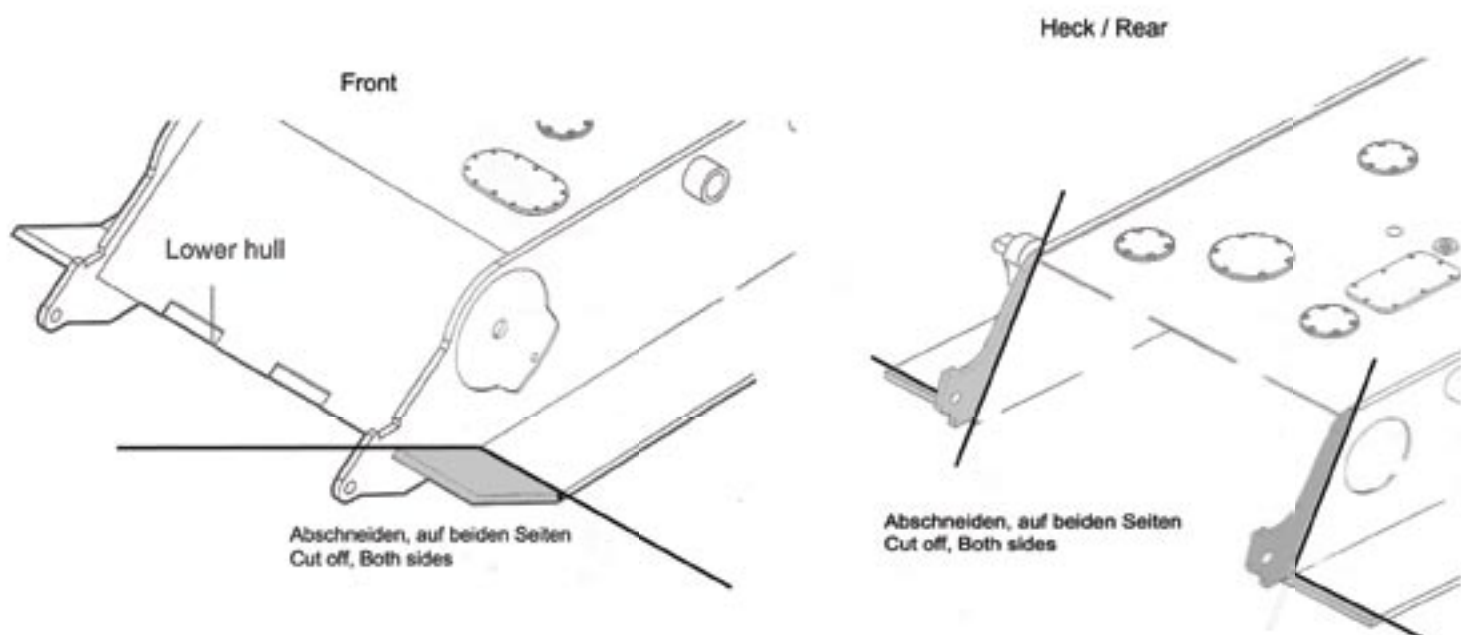
16

use plastic sheet



**1**

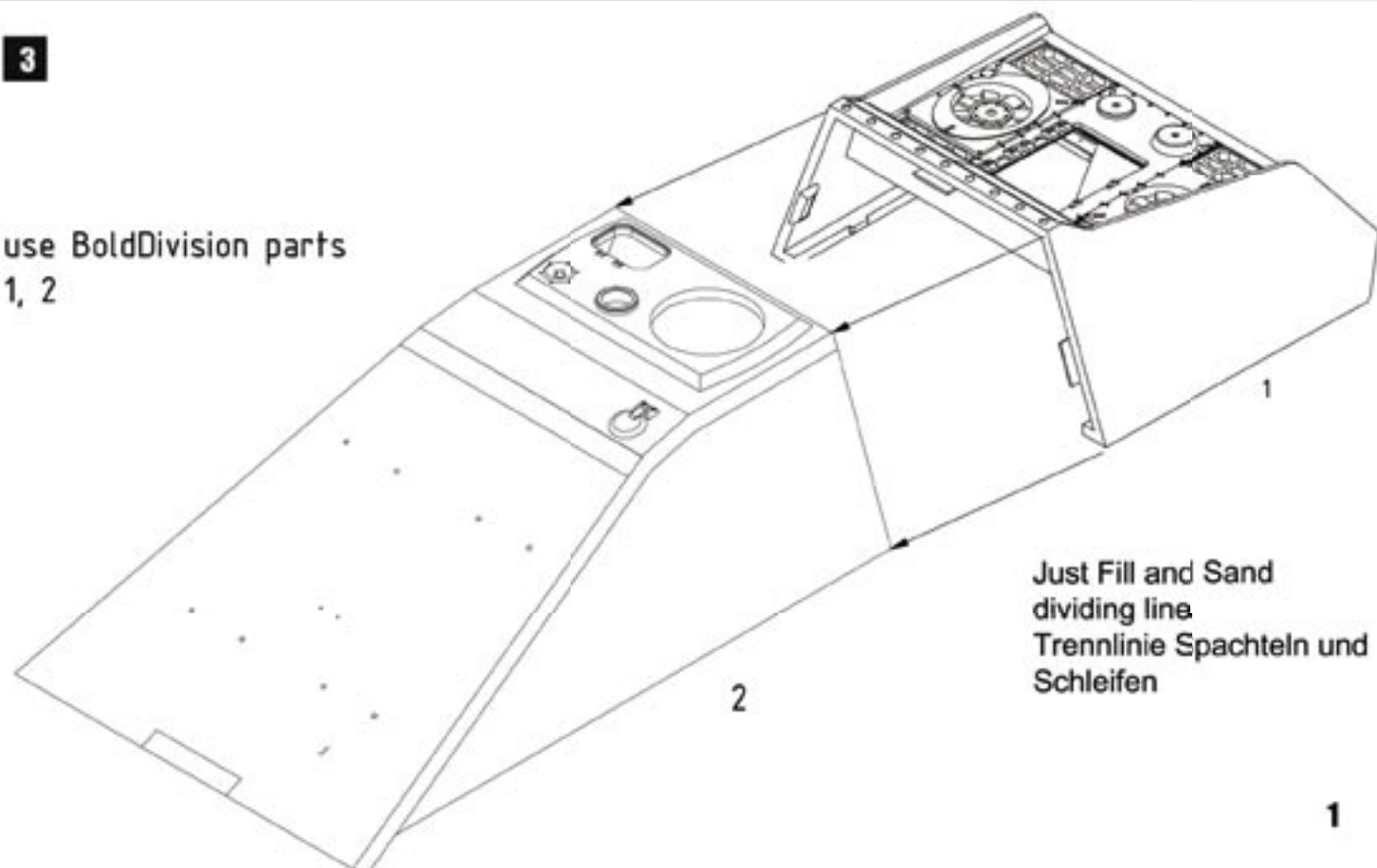
use Trumpeter part Lower hull

**2**

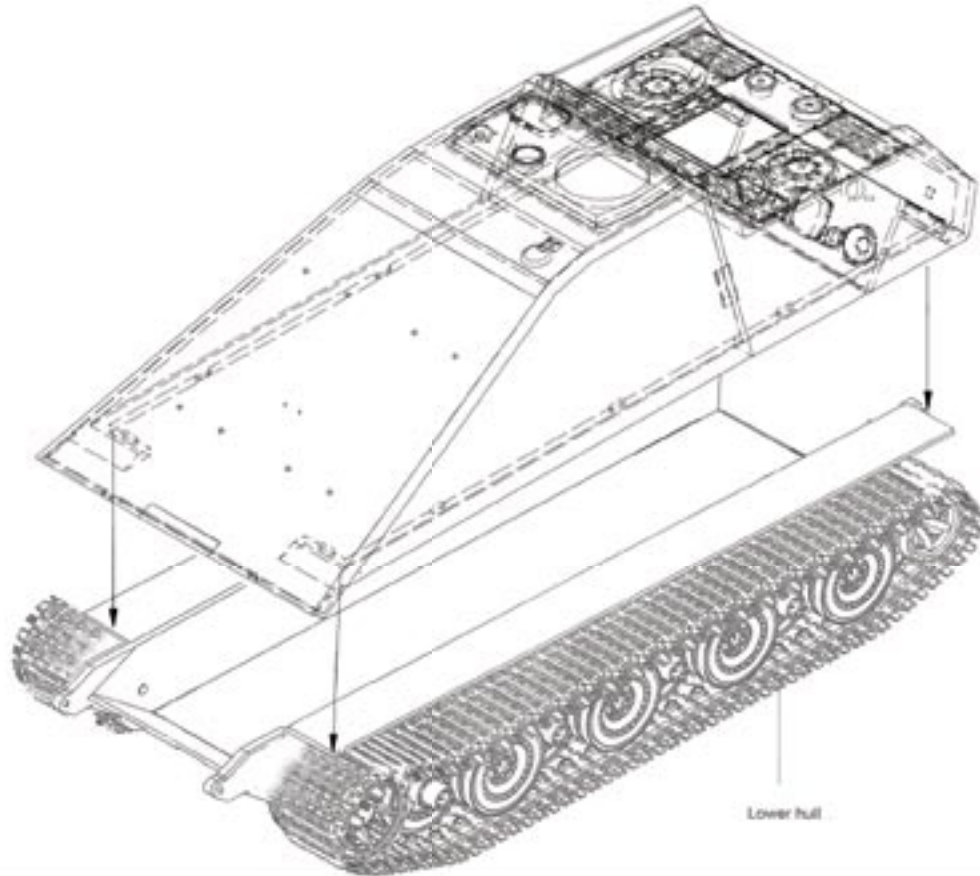
Trumpeter Bauanleitung folgen Schritt 1 bis 11  
*follow the Trumpeter assembly guide step 1 to 11*  
 !!! Schritt 7 !!! C36, C35 nicht benutzen  
 !!! step 7 !!! dont use C36, C35

**3**

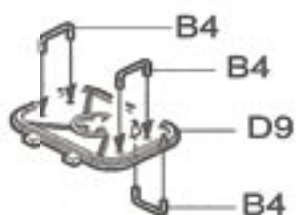
use BoldDivision parts  
 1, 2



4



use Trumpeter parts  
B4 (x3), D9



5

Trumpeter Schritt 22 machen!  
make Trumpeter step 22!

6

use BoldDivision parts  
4 (x2), 7, 8

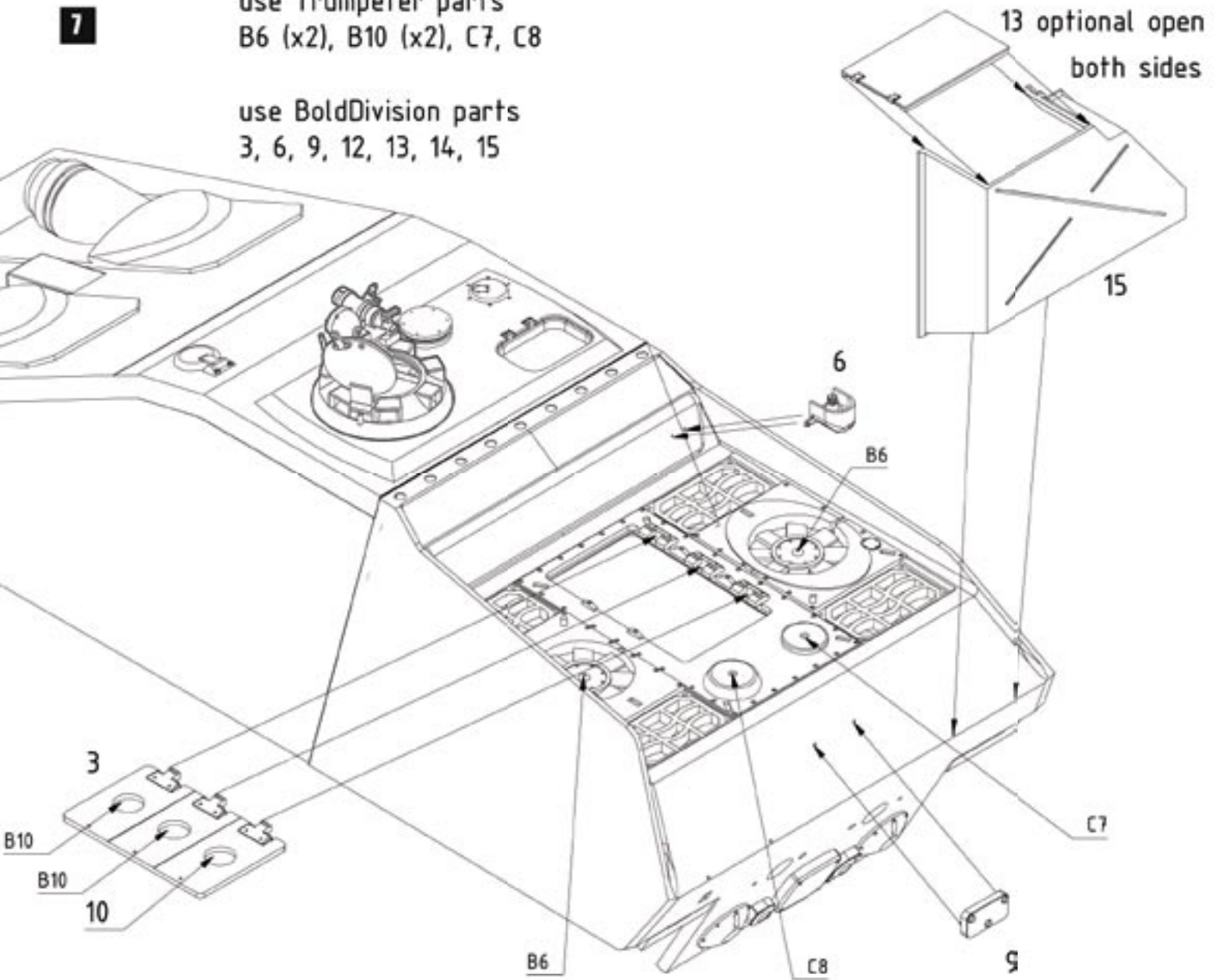
!!! no cement  
optional open



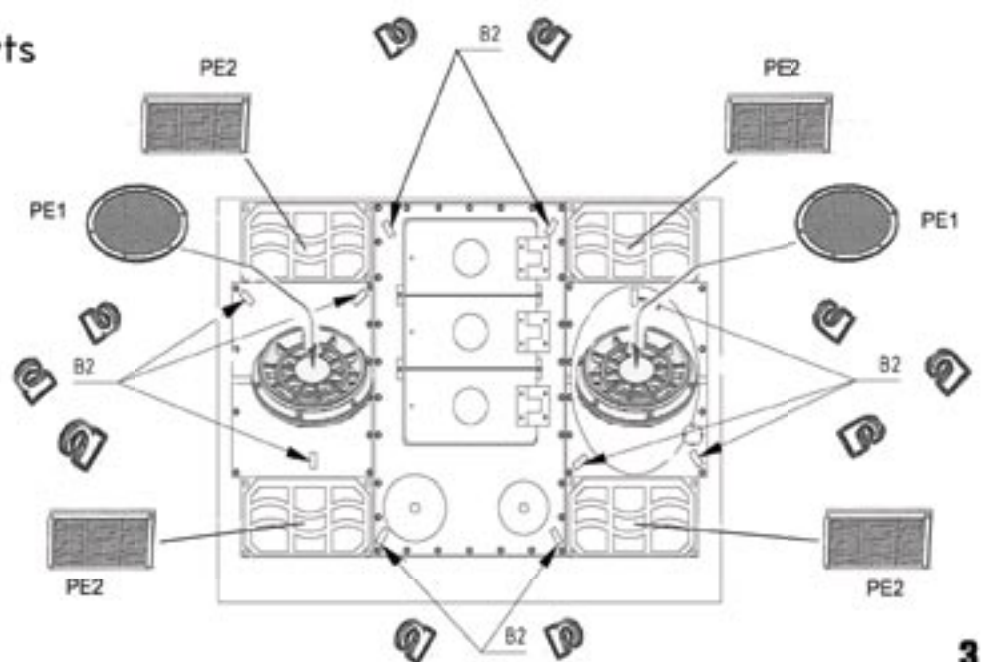
**7**

use Trumpeter parts  
B6 (x2), B10 (x2), C7, C8

use BoldDivision parts  
3, 6, 9, 12, 13, 14, 15

**8**

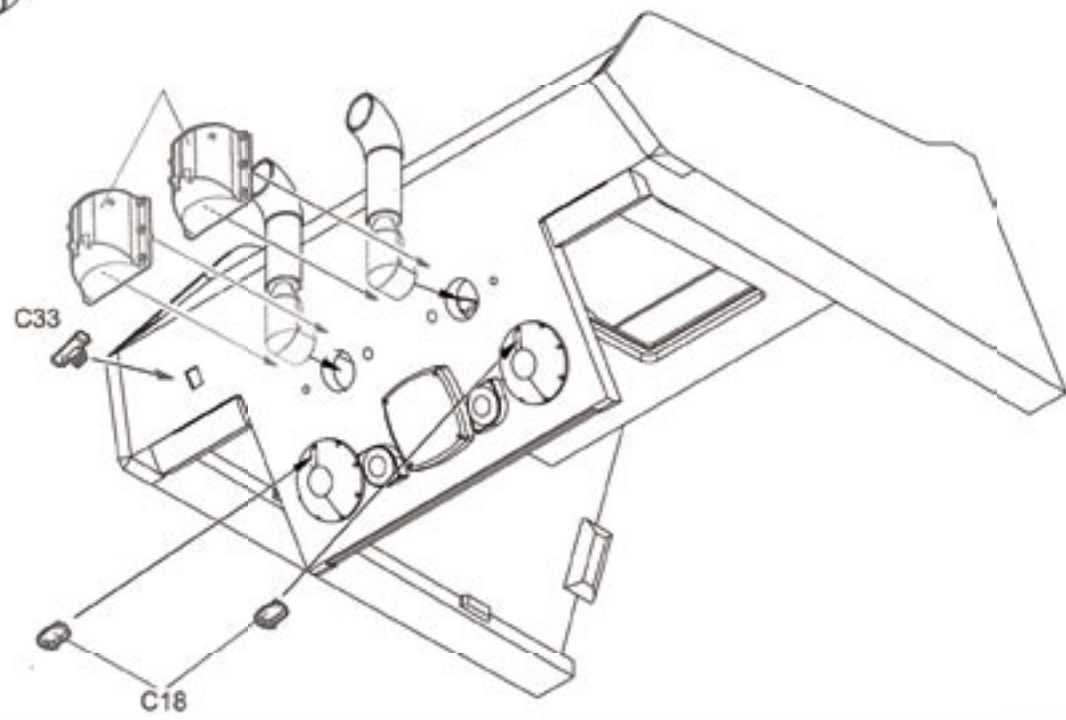
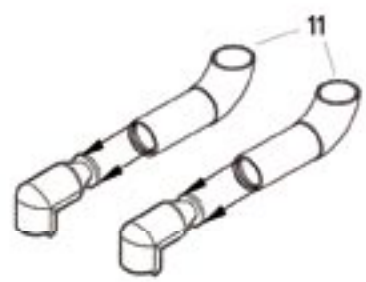
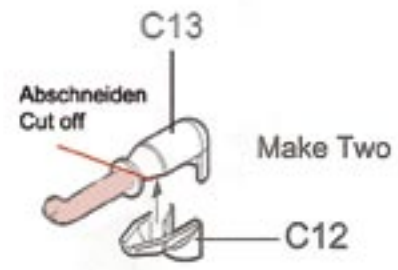
use Trumpeter parts  
B2 (x10), PE1, PE2



**9**

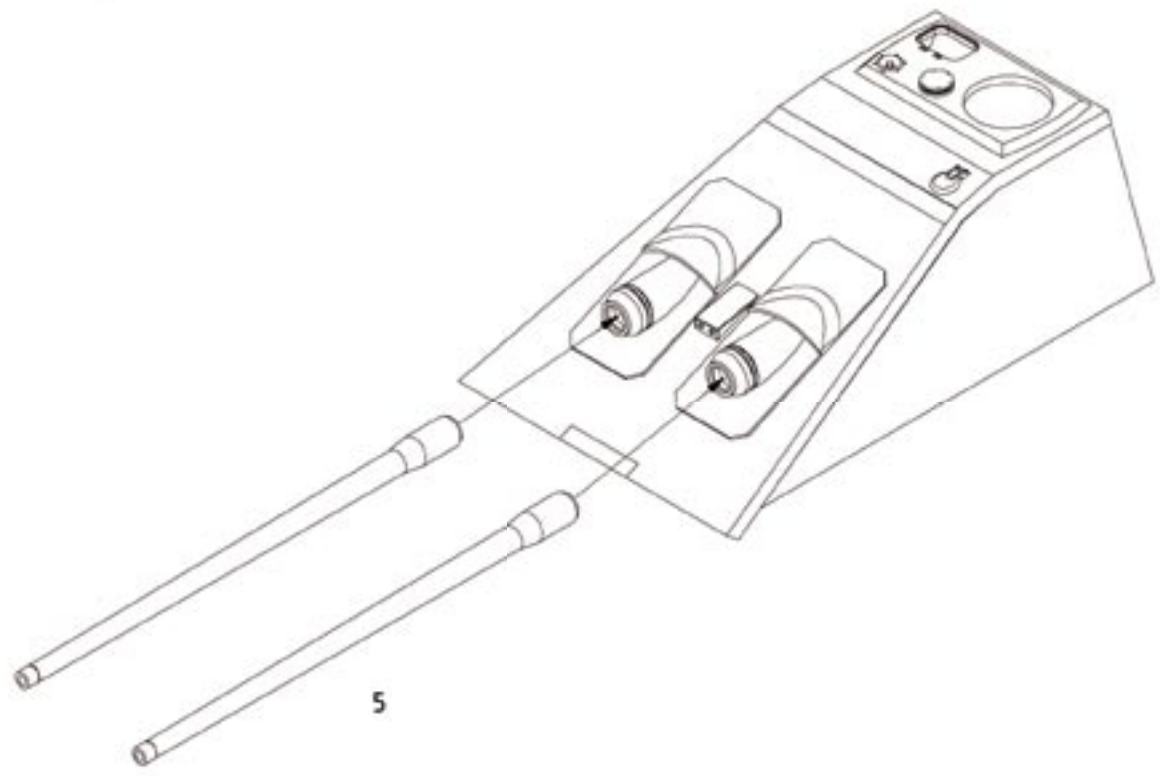
use Trumpeter parts  
A5 (x2), C12, C13, C18 (x2), C33

use BoldDivision parts  
11 (x2)



**10**

use BoldDivision part  
5 (x2)



Optional for both Sides -- Armorplates  
use Bolddivision parts 10(x10) and plastic sheet

