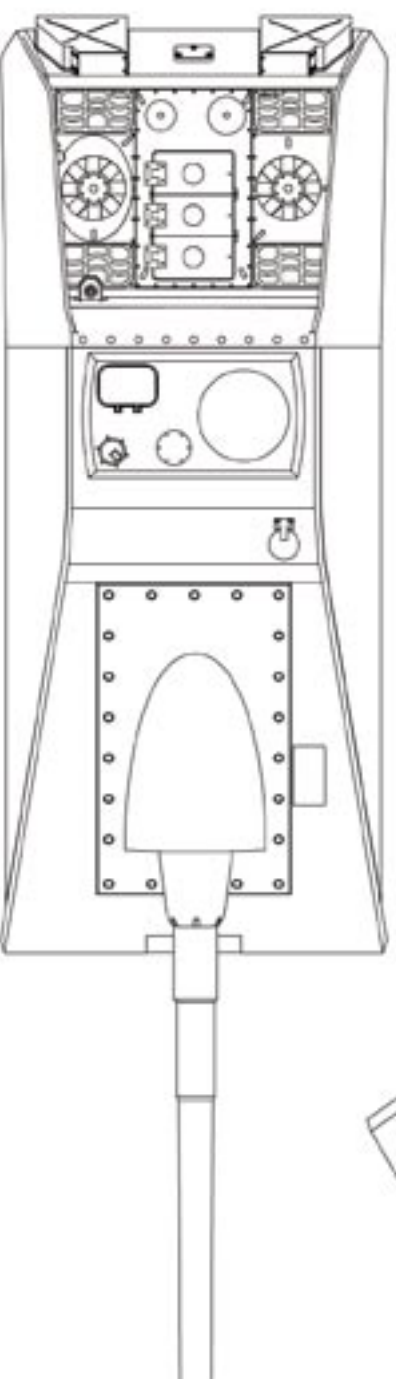
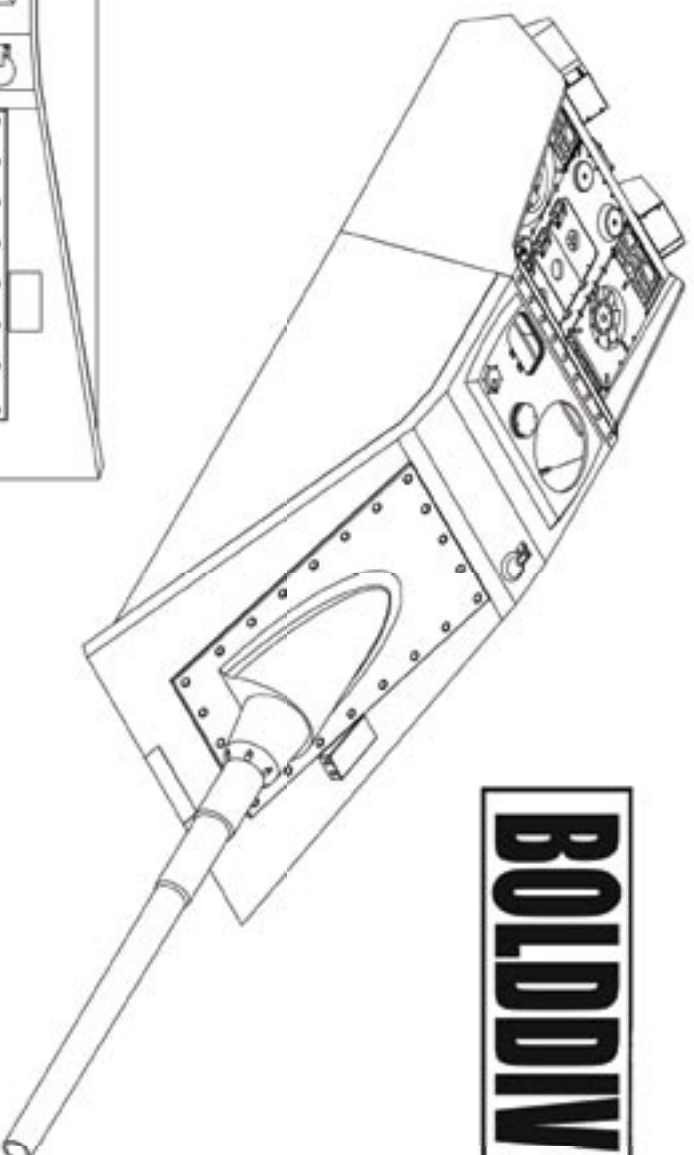


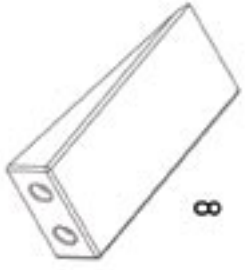
BOLDDIVISION



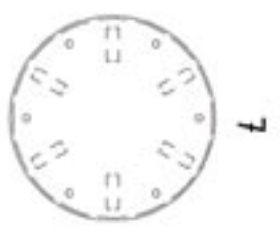
Debold
Heinrichstr. 14
04177 Leipzig
Germany
E-Mail: bestellung@bolddivision.de



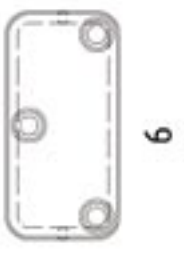
6



8



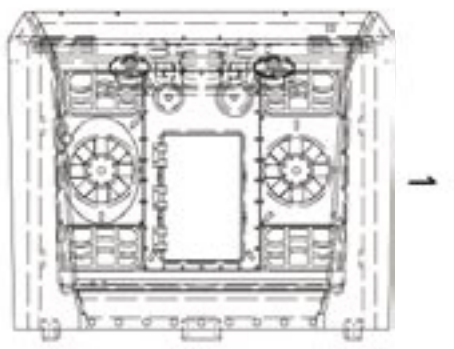
7



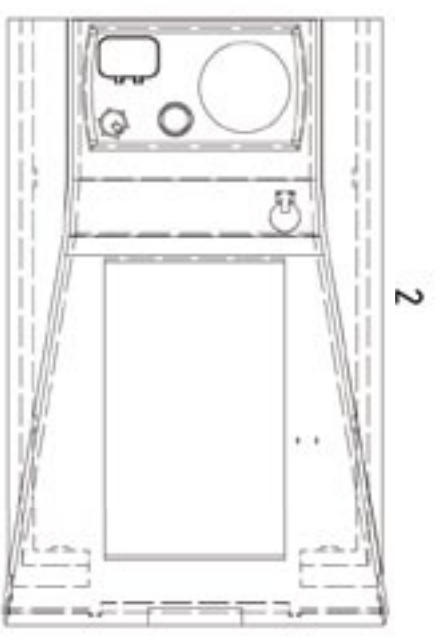
9



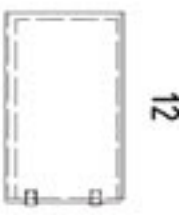
10



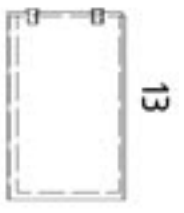
1



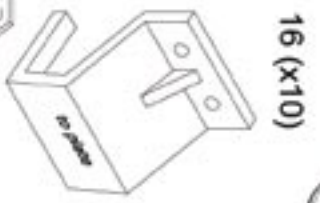
2



12



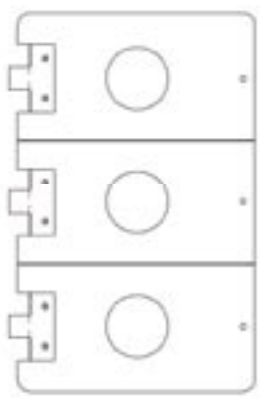
13



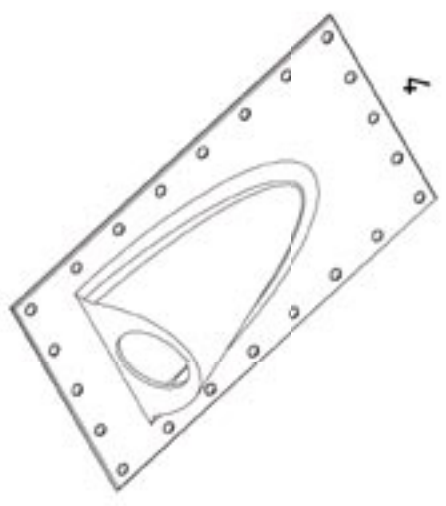
16 (x10)



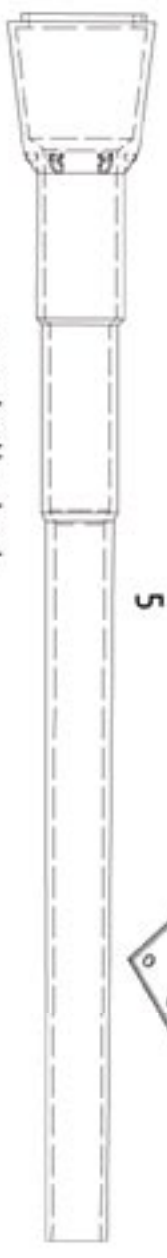
11 (x2)



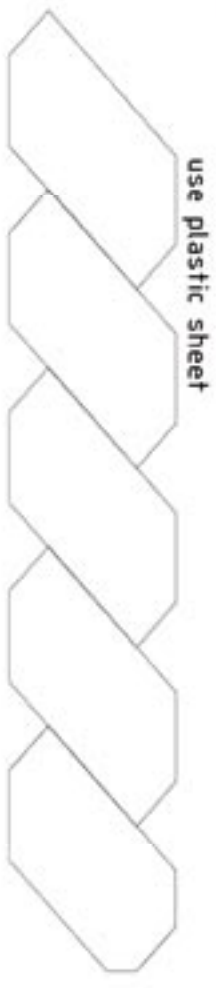
3



4



5



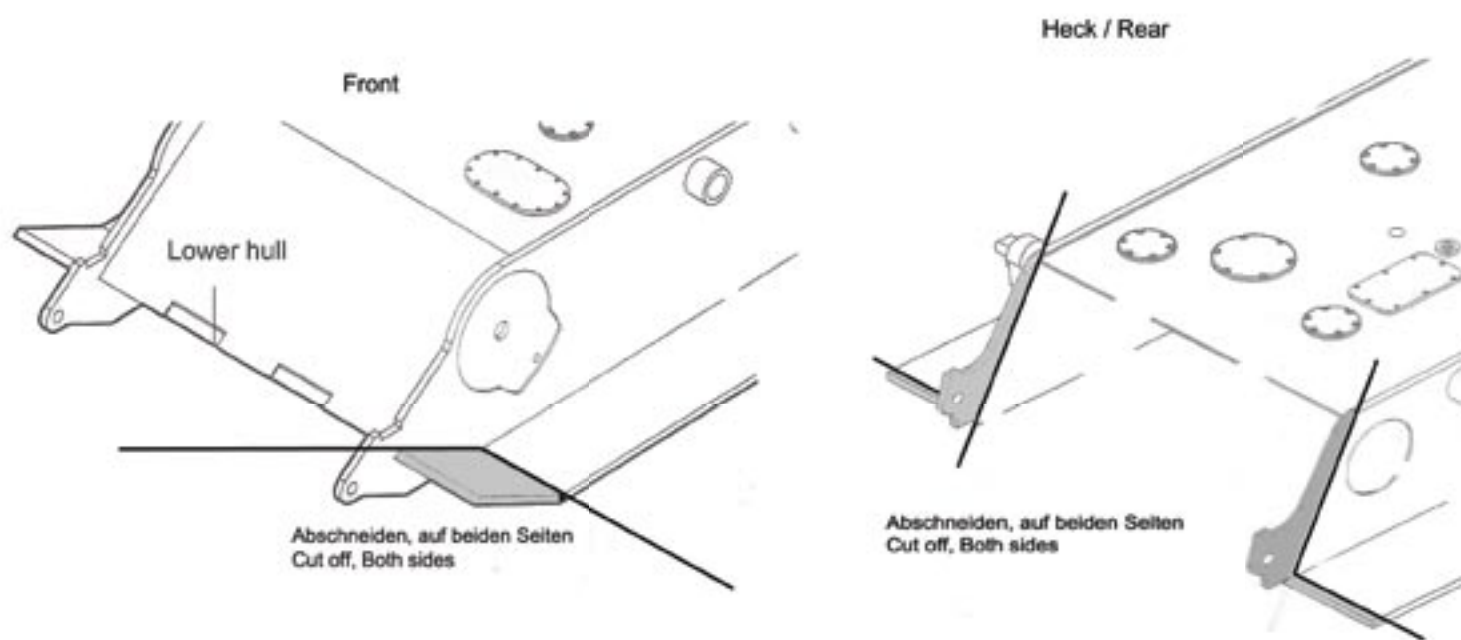
use plastic sheet

14

15

1

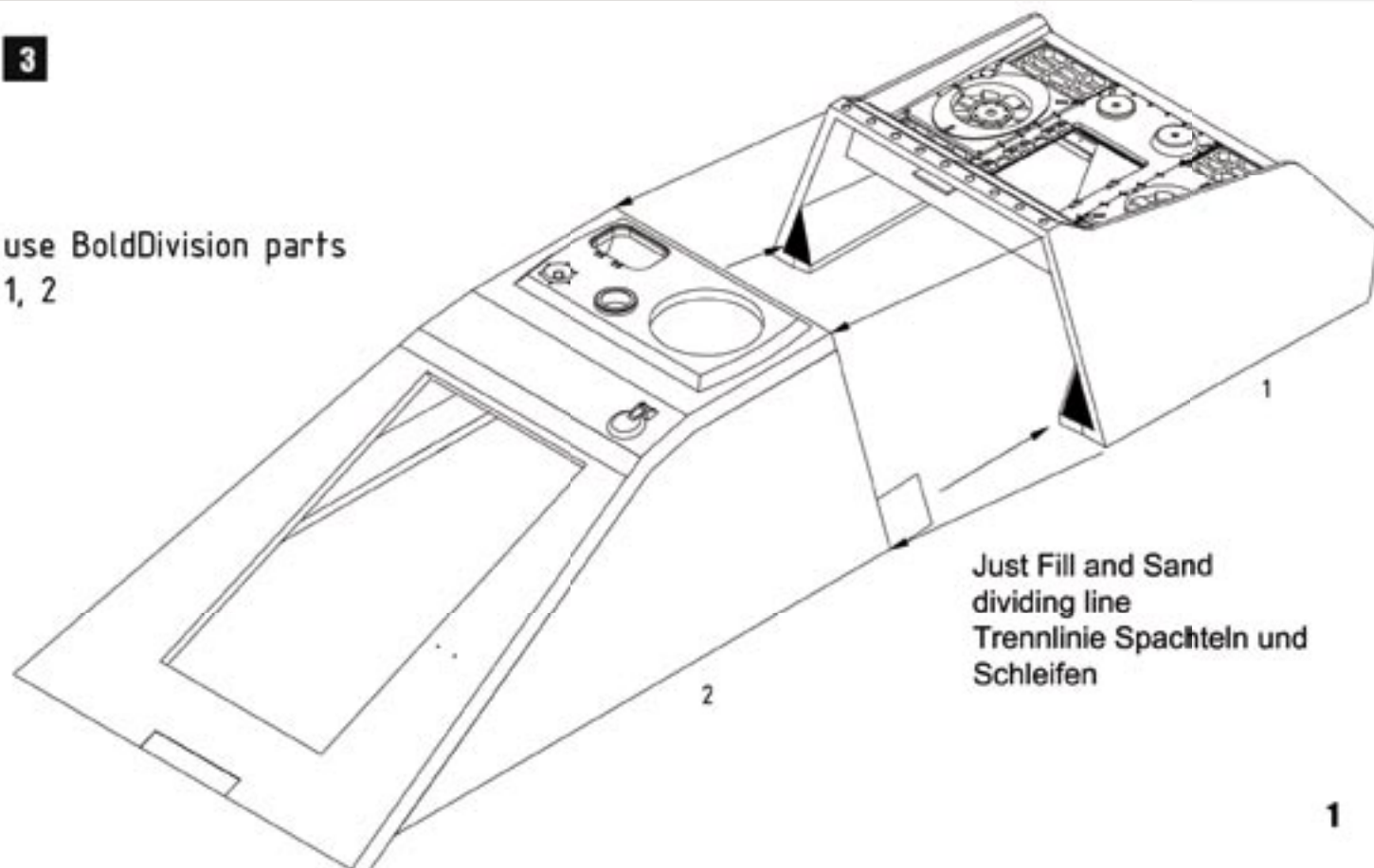
use Trumpeter part Lower hull

**2**

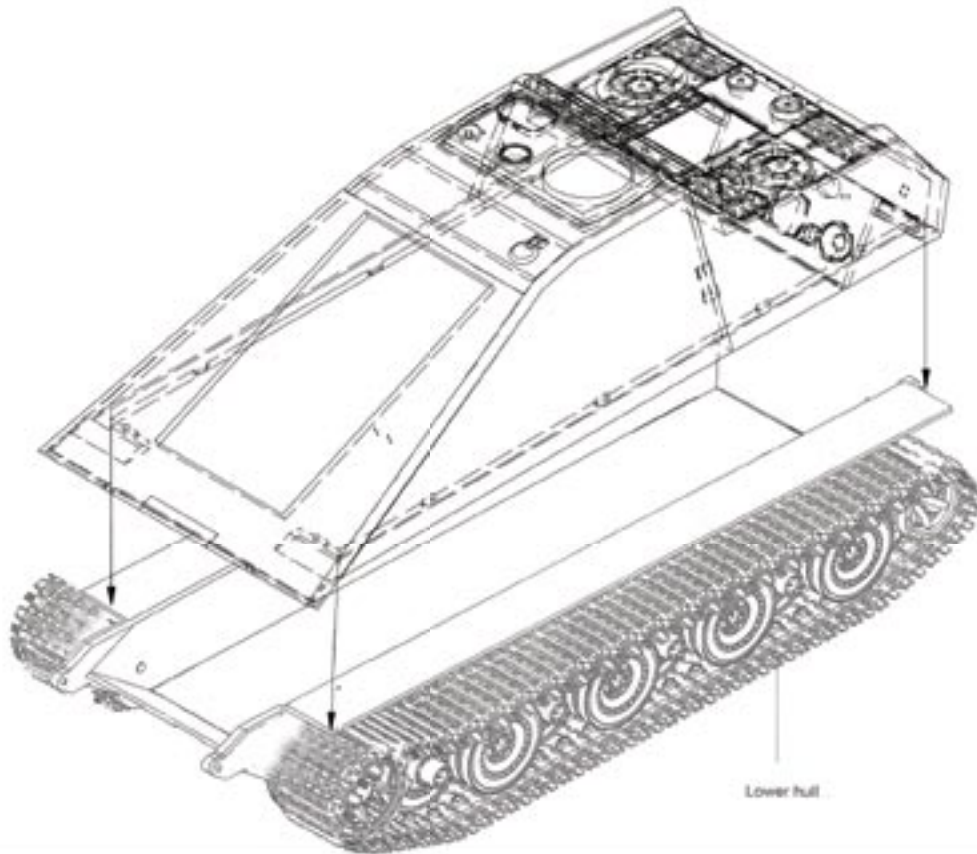
Trumpeter Bauanleitung folgen Schritt 1 bis 11
follow the Trumpeter assembly guide step 1 to 11
 !!! Schritt 7 !!! C36, C35 nicht benutzen
 !!! step 7 !!! dont use C36, C35

3

use BoldDivision parts
 1, 2

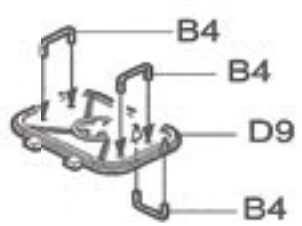
**1**

4



Lower hull

use Trumpeter parts
B4 (x3), D9



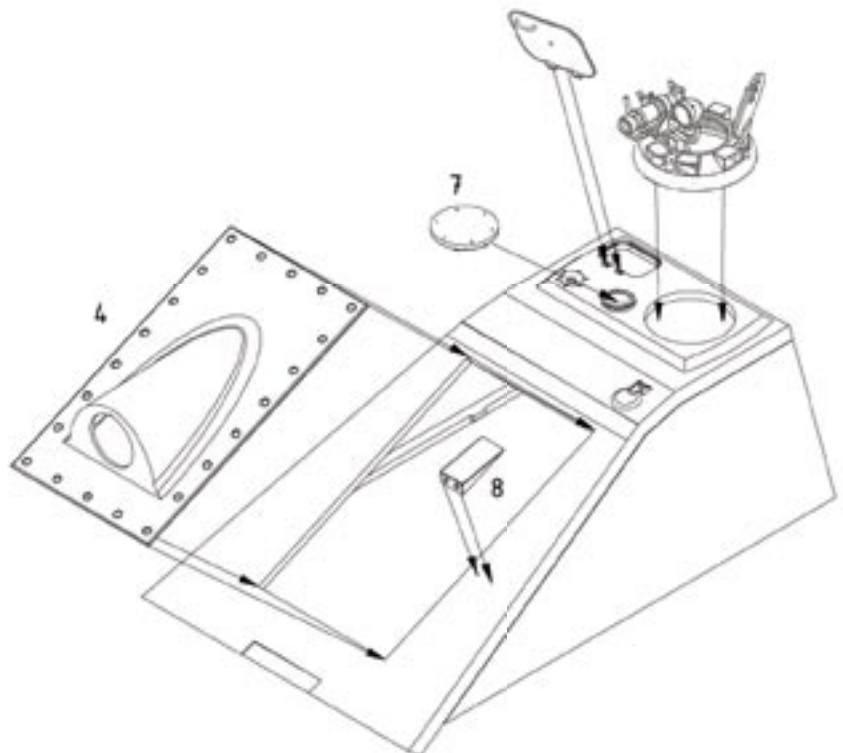
5

Trumpeter Schritt 22 machen!
make Trumpeter step 22!

6

use BoldDivision parts
4, 7, 8

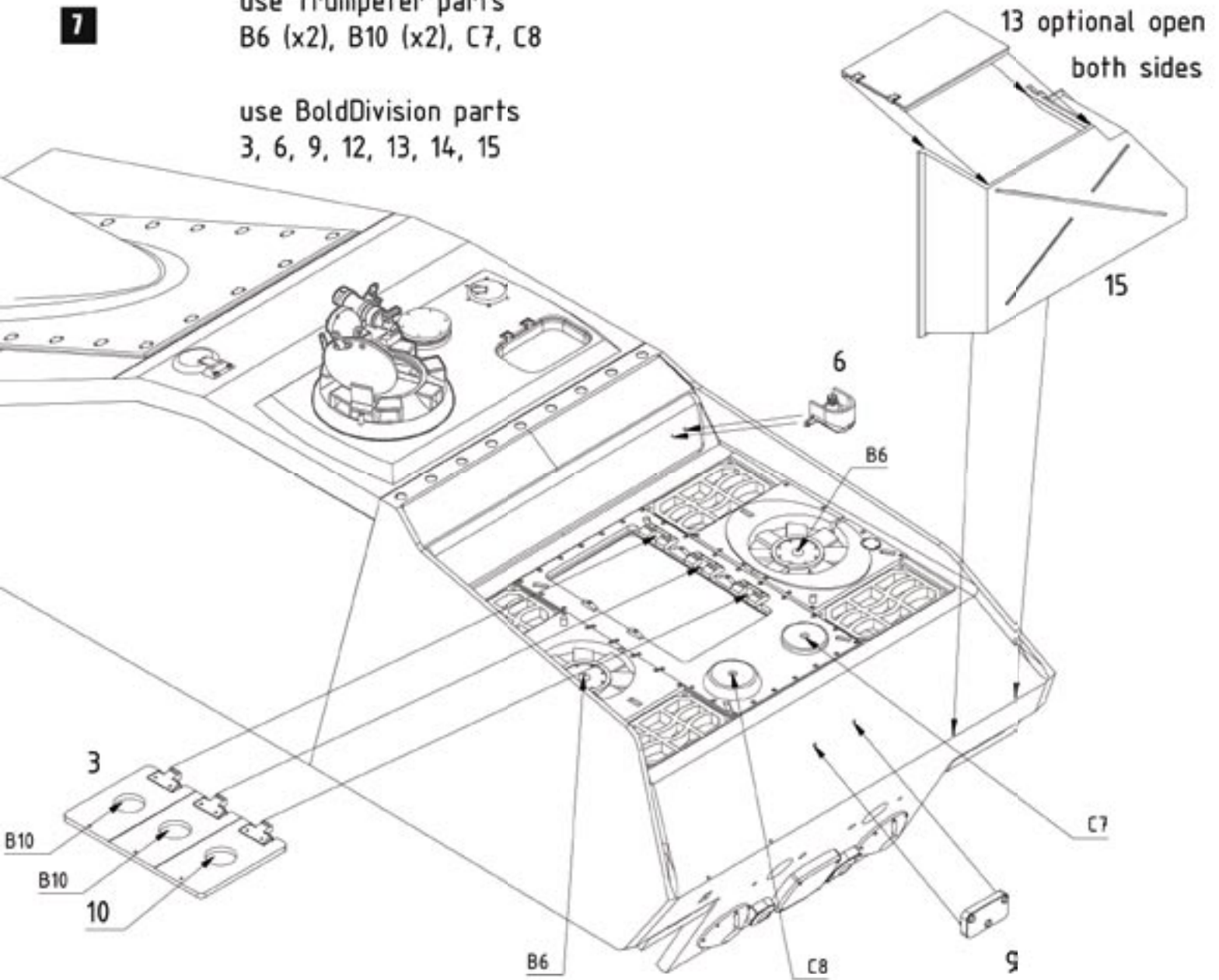
!!! no cement
optional open



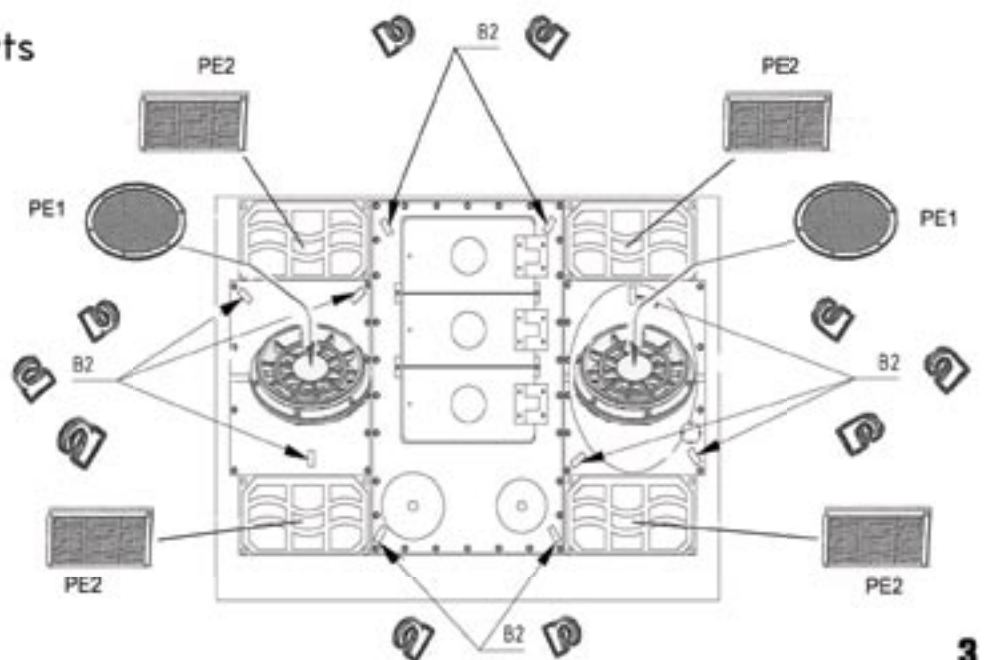
7

use Trumpeter parts
B6 (x2), B10 (x2), C7, C8

use BoldDivision parts
3, 6, 9, 12, 13, 14, 15

**8**

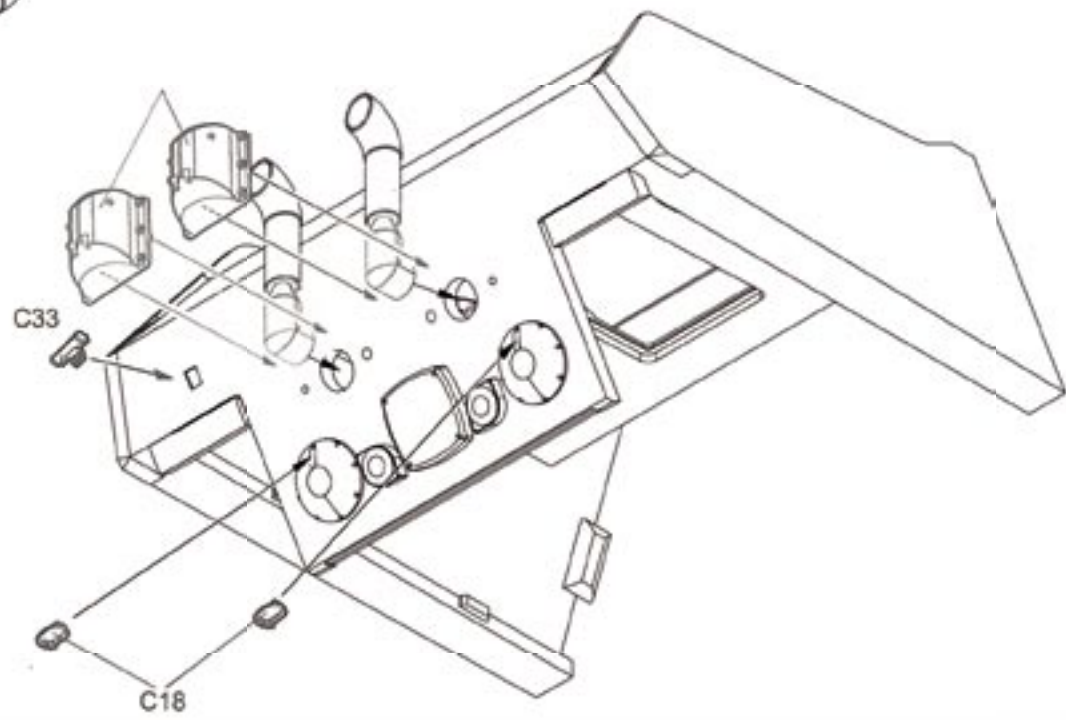
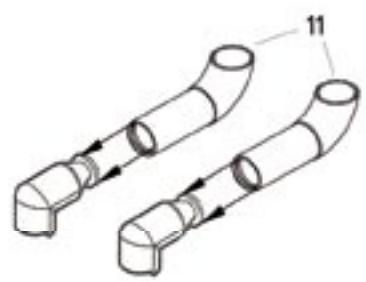
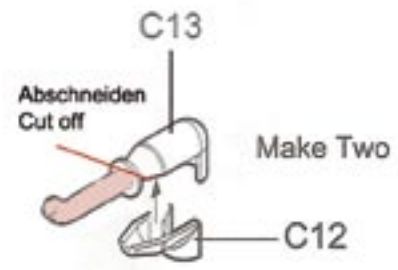
use Trumpeter parts
B2 (x10), PE1, PE2

**3**

9

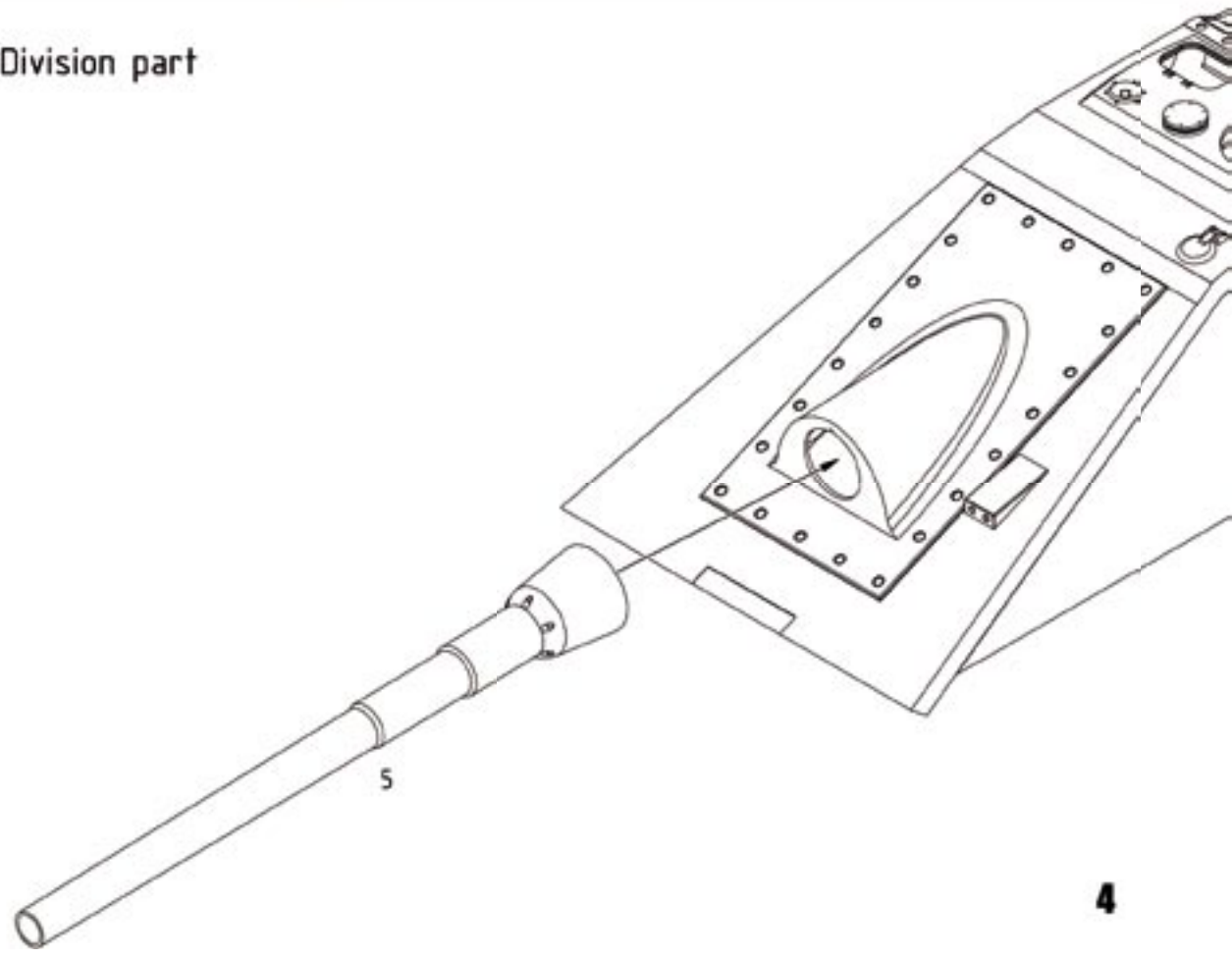
use Trumpeter parts
A5 (x2), C12, C13, C18 (x2), C33

use BoldDivision parts
11 (x2)



10

use BoldDivision part
5



Optional for both Sides -- Armorrplates
use Bolddivision parts 16(x10) and plastic sheet

